

## Models-2032,2032HP,2033/F, Filled System Stainless Steel Gauges

### Case

AISI 304 Stainless Steel  
Bezel Stainless Steel (Bayonet type).  
Weatherproof Construction

### Socket + Element

AISI 316 Stainless Steel

### Thread

1/4", 3/8", 1/2" NPT, BSP, BSPT

### Movement

Stainless Steel

### Dial

White Aluminium (Black Printing)

### Pointer

Black Aluminium

### Window

Sheet Glass

### Standard Size

100, 150mm

### Accuracy class

+/-1.5%

### Scale Range

Vacuum to 600 bar

### Ordering information

State:- Pressure gauge model  
/ Nominal size / Scale range  
/ Size and location of connection  
/ Optional extras reqd.

### Optional extras

AISI 316 Stainless steel case.  
White plastic dial (Black Printing).  
Micro adjustable pointer / Black Finish.  
Monel to Nace MR-01-75 wetted parts.  
Laminated safety glass / Perspex window.  
Customer logo.  
Liquid filling.  
Vibragaug<sup>®</sup>  
Snubbagaug<sup>®</sup>  
**Further options: on request**

Note:- Cooling syphon recommended between diaphragm chamber and gauge for process temperatures above 60 deg C.

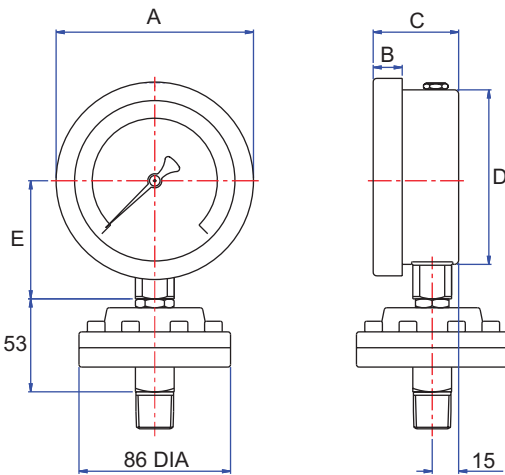


Model - 2032

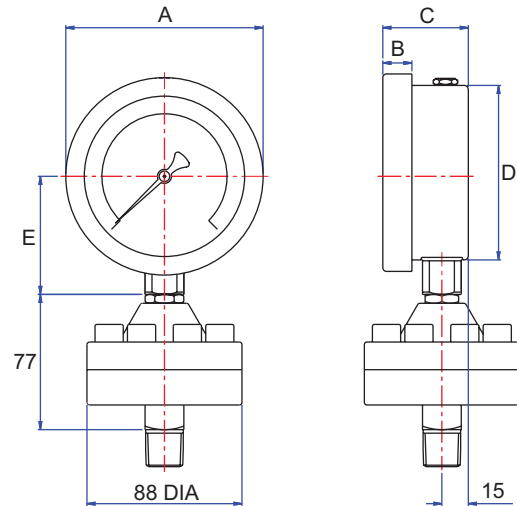
Application	Fill Fluids & Temperature Ranges
Vacuum	Silicone D.C 704 0 to 250 deg C
Standard	Silicone 200 / 100 -40 to 200 deg C
Low Temp	Flourinert F.C.77 -100 to 50 deg C
High Temp	Silicone D.C 550 -40 to 315 deg C
Oxygen	Galden D05 -20 to 140 deg C
<b>Food Ind</b>	
FDA	Neobee M20 -15 to 150 deg C
	Medicinal Paraffin 0 to 100 deg C
Vacuum	Vegetable (Rape Seed) Oil 0 to 100 deg C
	Pure Glycerine 0 to 120 deg C
Other fill fluids available	

**Models-2032,2032HP,2033/F,  
Filled System  
Stainless Steel Gauges**

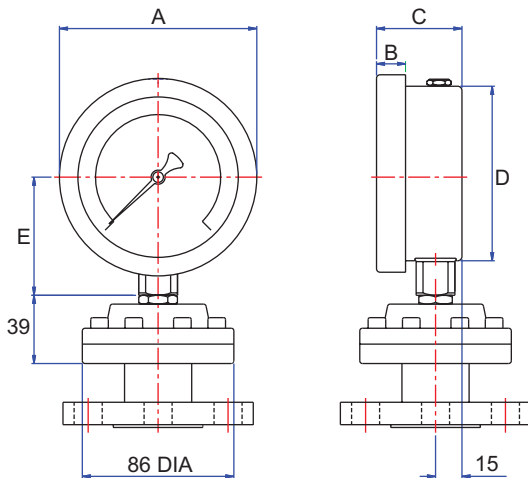
Note:- Dimensions shown are for a standard pressure gauge.



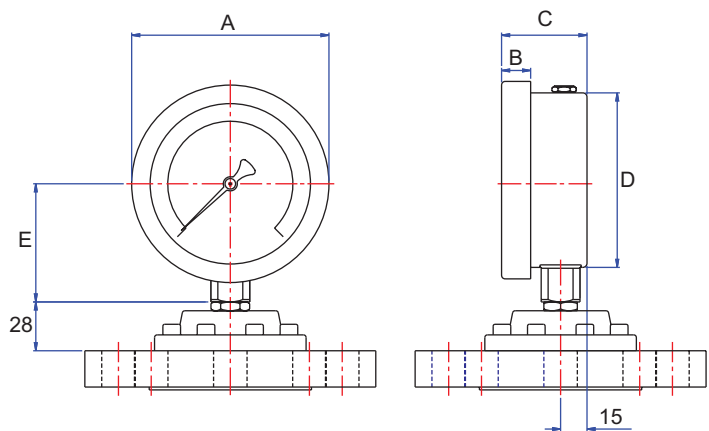
Rated to 100 BAR  
Model. 2032



Rated to 400 BAR  
Model. 2032/HP



Flange Mounted  
Model. 2033/F



Flange Mounted  
Model. 2033/F  
(Flange Sizes - (2") 50mm x 150 lb & above)

Dial Size	A	B	C	D	E
100mm	112	16.5	48.5	99	67
150mm	163	19.5	48.5	148	96

We manufacture a wide range of instruments to customer's special requirements  
We shall be pleased to discuss and advise on your specifications.

Specifications and dimensions given in this leaflet represent the state of engineering at the time of printing.  
Engineering modifications may take place without prior notice.