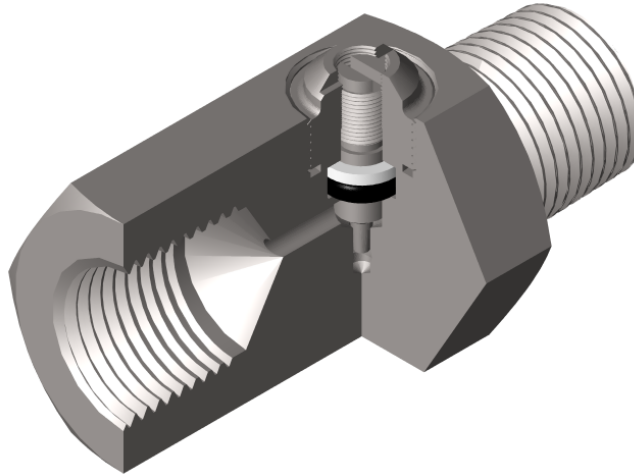


Maximum working pressure 420 bar (6000 psi)



Overall Dimensions = 32mm a/f hex, 67mm long.

Features

- Hydrostatically tested to 1.5 times maximum working pressure.
- Has trace code on body with material certificates available for all wetted parts on request.
- Available in a variety of materials, stainless steel, monel etc.
- Can be supplied to NACE MR-01-75 latest edition.
- Gauge snubber is adjustable restriction type and helps protect instrument against pulsing and surges in process system. Suitable for use with pressure gauges, pressure switches and pressure transmitters etc.

How To Order

PART No IL-GS-__M or F-__ M or F-__

Standard Rating = 6000psi
add **HP** at end of Part No
for 10000psi rating

↑
Inlet

↑
Outlet

↑
Material

Inlet & Outlet Codes

03 = 1/4" NPT
05 = 3/8" NPT
07 = 1/2" NPT
09 = 3/4" NPT
11 = 1" NPT

Select M or F for Male / Female

04 = G1/4" (BSP)
06 = G3/8" (BSP)
08 = G1/2" (BSP)
10 = G3/4" (BSP)
12 = G1" (BSP)

13 = R1/4" (BSPT)
14 = R3/8" (BSPT)
15 = R1/2" (BSPT)
16 = R3/4" (BSPT)
17 = R1" (BSPT)

Material Code

AI = AISI 316 S/S (DIN 1.4401)
MO = MONEL
HA = HASTELLOY
IN = INCOLLOY 825

TI = TITANIUM
DU = DUPLEX UNS S31803
SD = SUPER DUPLEX UNS S32760